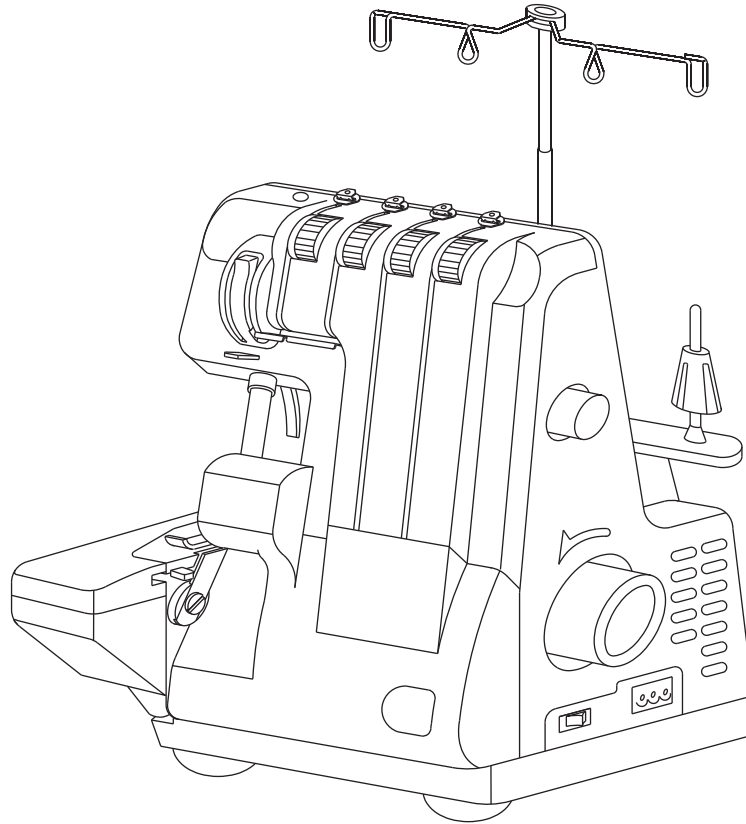


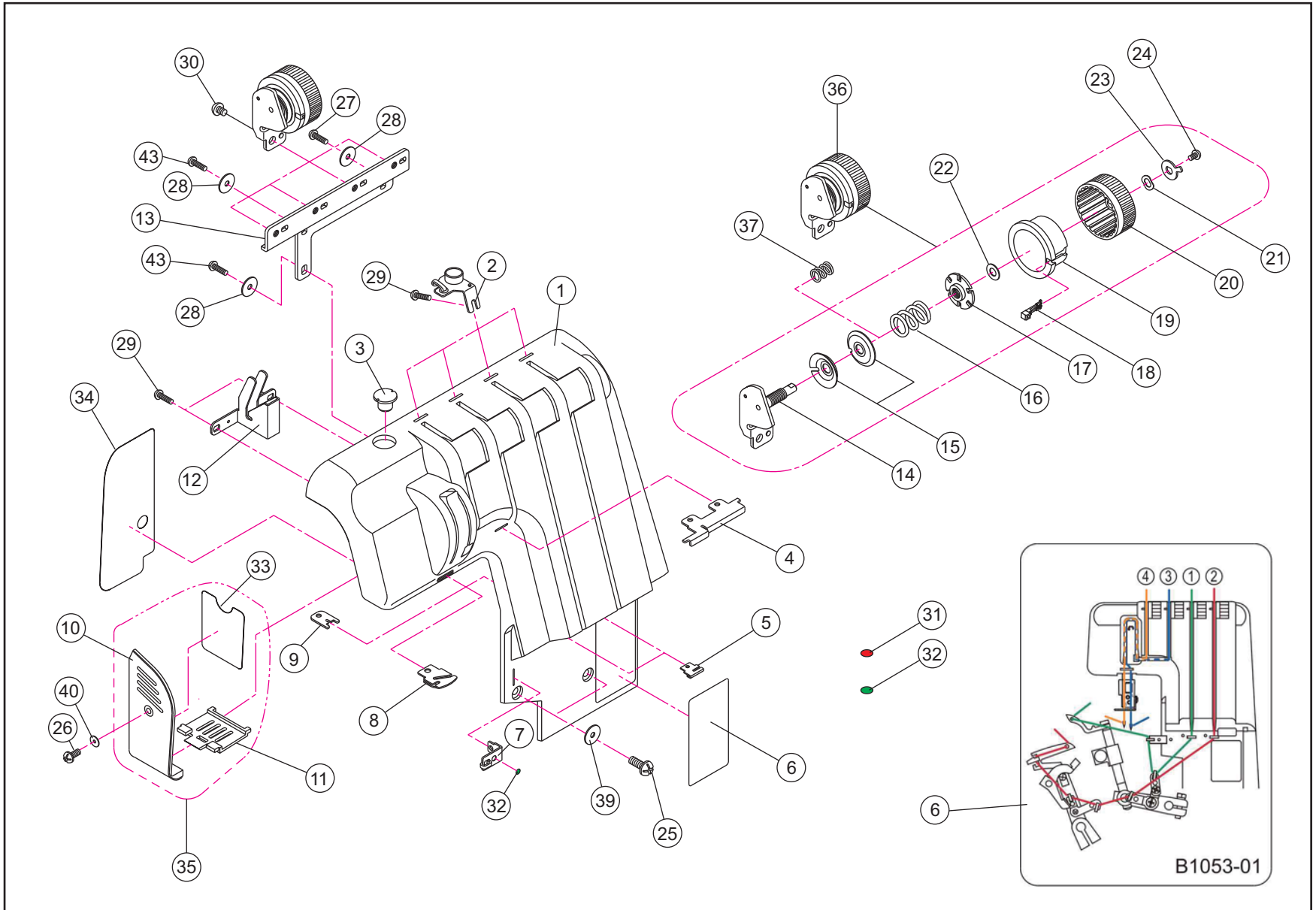
Parts List

740DSA



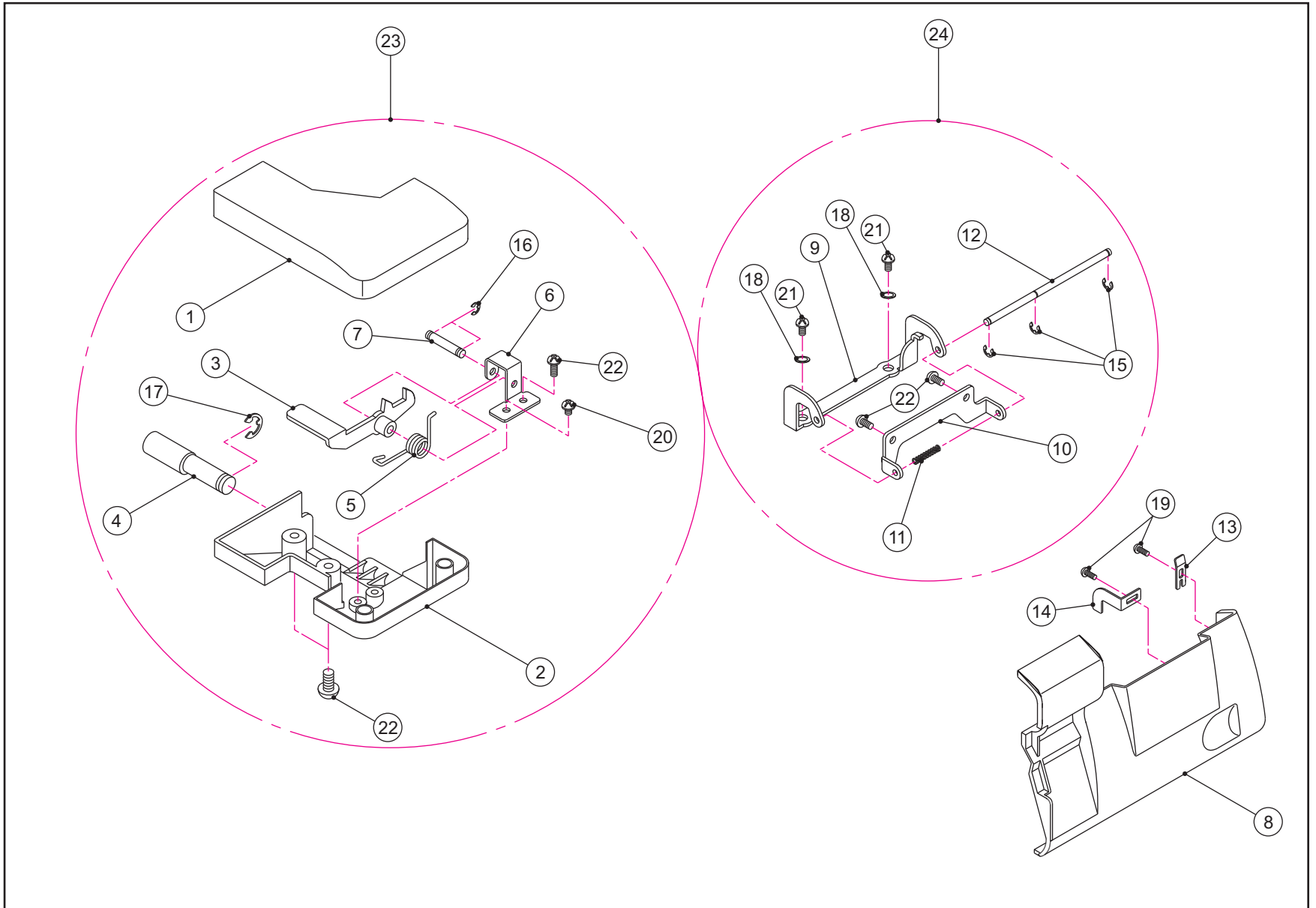
CONTENTS

	PAGES
1. Front cover / Tension dial / Bulb cover.....	1, 2
2. Sewing table / Looper cover.....	3, 4
3. Side cover / Base plate / Accessory box / Extension table / Motor cover / Thread guide bar / Spool stand.....	5, 6
4. Machine frame / Lower knife / Stitch plate.....	7, 8
5. Main shaft / Upper knife.....	9,10
6. Handwheel / Stitch length dial.....	11,12
7. Needle bar / Presser bar / Presser foot.....	13,14
8. Upper looper	15,16
9. Feed dog (DF type only).....	17,18
10. Differential feed (DF type only).....	19,20
11. Lower looper auto threader (Auto threader type only).....	21,22
12. Electronic parts.....	23,24
13. Accessories.....	25,26



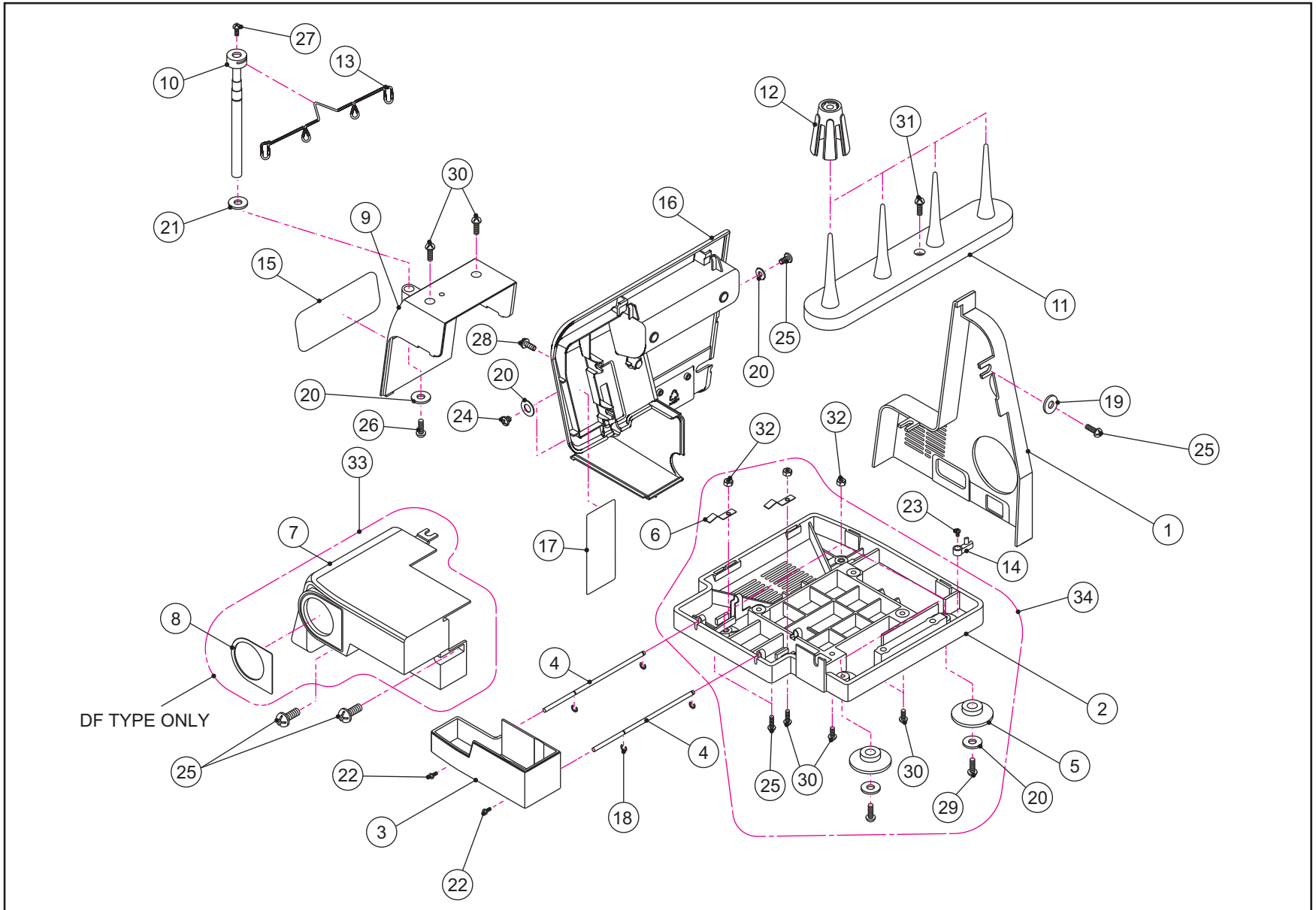
1. Front cover/Tension dial/Bulb cover

No.	Parts No.	Parts Name	No.	Parts No.	Parts Name
1	B10011567	Front cover	23	B10181001	Tension dial setting plate
1	B10011111	Front cover	24	ZM03L05K42	Set screw
2	B10211004	Thread guide (A)	25	ZM04L10A02	Set screw
2	E10032000	Thread guide (A)	26	ZM03L06E04	Set screw
3	A10471567	Regulate cover	27	ZM03L08F42	Set screw
3	A10471111	Regulate cover	28	ZW03.2F10H02	Washer
4	B10221004	Thread guide (B)	29	ZM03L06T42	Set screw
5	C10071004	Thread guide (F)	30	ZM04L04.5A04	Set screw
6	B1053-01	Thread guide sticker (B1)	31	A11481235	Color sticker (red)
7	B10251004	Thread guide (E)	32	A11481250	Color sticker (green)
8	B10231004	Thread guide (C)	33	A11471000	Lamp cover reflexible plate
9	B10241004	Thread guide (D)	34	B10521000	Front cover reflexible plate
10	A1046-567-01	Bulb cover	35	A10463000	Bulb cover complete set (No. 10.11.33 included)
10	A1046-111-01	Bulb cover	35	A10461111A	Bulb cover complete set (No. 10.11.33 included)
11	A10451000	Bulb shielding plate	36	B10043235	Tension dial set (lower looper) (No. 14.15.16.17.18.19.20.21.22.23.24.37 included)
12	B1020(A)	Thread take-up cover	36	B1004C235A	Tension dial set (lower looper) (No. 14.15.16.17.18.19.20.21.22.23.24.37 included)
13	B10151002	Tension dial holder	36	B10043250	Tension dial set (upper looper) (No. 14.15.16.17.18.19.20.21.22.23.24 included)
14	B10162000	Tension dial holder set	36	B1004C250A	Tension dial set (upper looper) (No. 14.15.16.17.18.19.20.21.22.23.24 included)
15	A10701004	Tension disc	36	B10043184	Tension dial set (right needle) (No. 14.15.16.17.18.19.20.21.22.23.24 included)
16	B10481006	Tension spring (left needle,lower looper)	36	B1004C184A	Tension dial set (right needle) (No. 14.15.16.17.18.19.20.21.22.23.24 included)
16	B10491001	Tension spring (right needle)	36	B10043162	Tension dial set (left needle) (No. 14.15.16.17.18.19.20.21.22.23.24 included)
16	B10501002	Tension spring (upper looper)	36	B1004C162A	Tension dial set (left needle) (No. 14.15.16.17.18.19.20.21.22.23.24 included)
17	B10131000	Tension regulate nut	37	C10081006	Tension spring
18	B10061235-01	Tension regulate pin (red)	38	B10012567A	Front cover set (No. 1.2.4.5.6.8.9.12.18.29.31.32.34.42 included)
18	B10061250-01	Tension regulate pin (green)	38	B10012567C	Front cover set (No. 1.2.4.5.6.8.9.12.18.29.31.32.34.42 included)
18	B10061184-01	Tension regulate pin (blue)	39	ZW04.5F09H02	Washer
18	B10061162-01	Tension regulate pin (yellow)	40	ZW03.2F07E03	Washer
19	B10051235-01	Tension regulate disc (red)	41	B10153000	Front cover tension dial set (No. 13.30.36 included)
19	B10051250-01	Tension regulate disc (green)	41	B10153000-2	Front cover tension dial set (No. 13.30.36 included)
19	B10051184-01	Tension regulate disc (blue)	42	B10251004A	Thread guide (E) set (No. 7.32 included)
19	B10051162-01	Tension regulate disc (yellow)	43	ZM03L12F52	Set screw
20	B1004A235-01	Tension dial (2, 3, 4 red)			
20	B1004P002-01	Tension dial (2, 3, 4 red)			
20	B1004A250-01	Tension dial (2, 3, 4 green)			
20	B1004P004-01	Tension dial (2, 3, 4 green)			
20	B1004A184-01	Tension dial (2, 3, 4 blue)			
20	B1004P001-01	Tension dial (2, 3, 4 blue)			
20	B1004A162-01	Tension dial (2, 3, 4 yellow)			
20	B1004C162-01	Tension dial (2, 3, 4 yellow)			
21	ZW05.2W09A11	Wave washer			
22	ZW05.1F10F03	Washer			



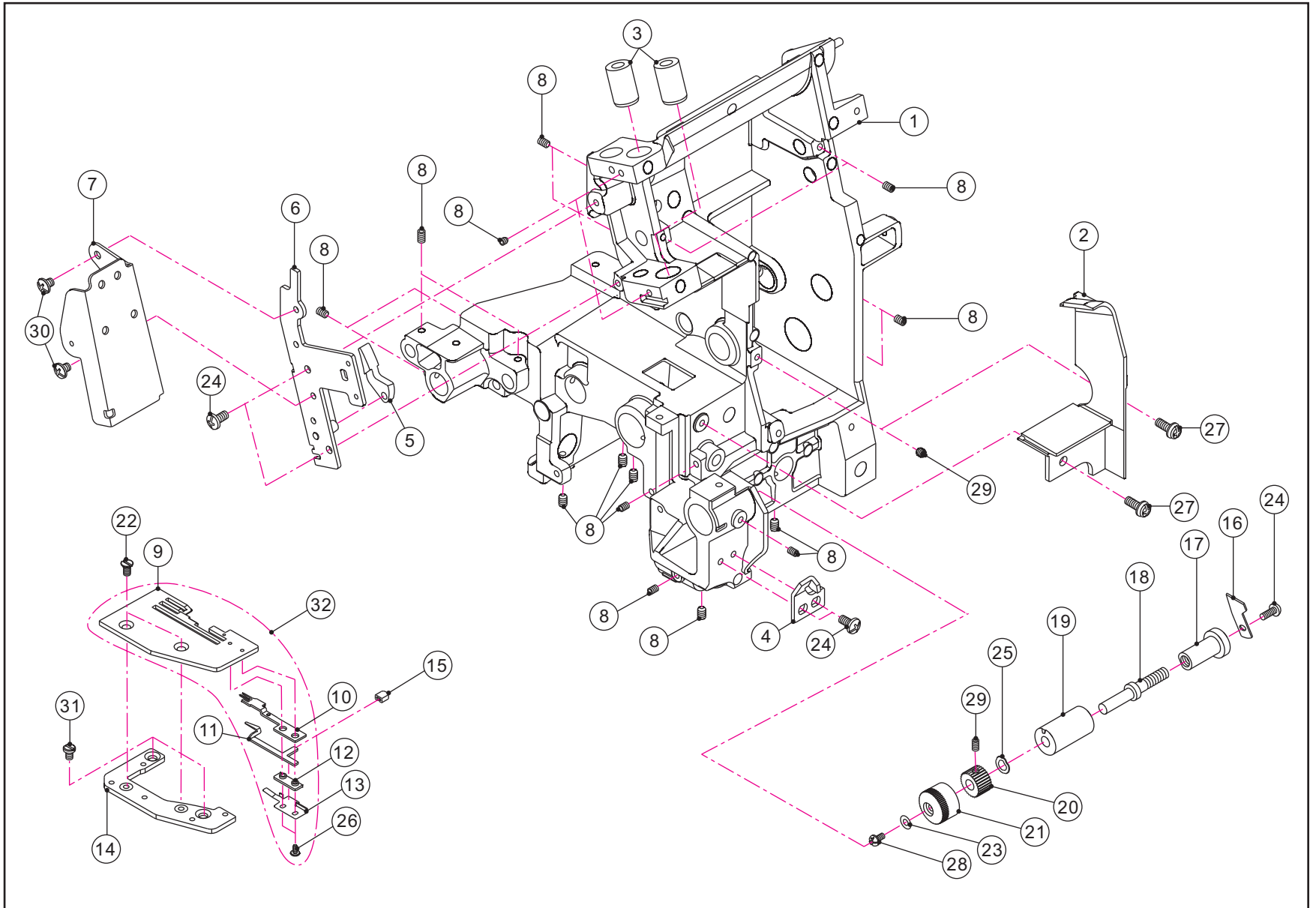
2. Sewing table/Looper cover

No.	Parts No.	Parts Name
1	B10031567	Sewing table cover
1	B10031111	Sewing table cover
2	A11331567	Sewing table base
2	A11331111	Sewing table base
3	A10571004	Sewing table opening lever
4	A11181001	Sewing table shaft
5	A11091001	Opening lever spring
6	A10581001	Opening lever holder
7	A10771000	Opening lever shaft
8	B10021567-01	Looper cover
8	B10021111-01	Looper cover
9	A10661001	Looper cover hinge (A)
10	A10651001	Looper cover hinge (B)
11	A1106-01	Looper cover hinge spring
12	A10631001-01	Looper cover hinge shaft
13	B10271004	Looper cover setting plate
14	B10561004	Contact or regulate plate
15	ZE03T06E03	E ring
16	ZE04T06E13	E ring
17	ZE06T08E13	E ring
18	ZW04.3F10J02	Washer
19	ZM03L08F42	Set screw
20	ZM04L08F42	Set screw
21	ZM04L12A02	Set screw
22	ZM04L10F42	Set screw
*23	B10043000	Sewing table complete set (No. 1.2.3.4.5.6.7.16.17.20.22 included)
*23	B10031111A	Sewing table complete set (No. 1.2.3.4.5.6.7.16.17.20.22 included)
*24	A10674000-02	Looper cover hinge set (No. 9.10.11.12.15 included)
*25	B1002B001A~x	Looper cover set (No. 8.13.19.22.24 included)



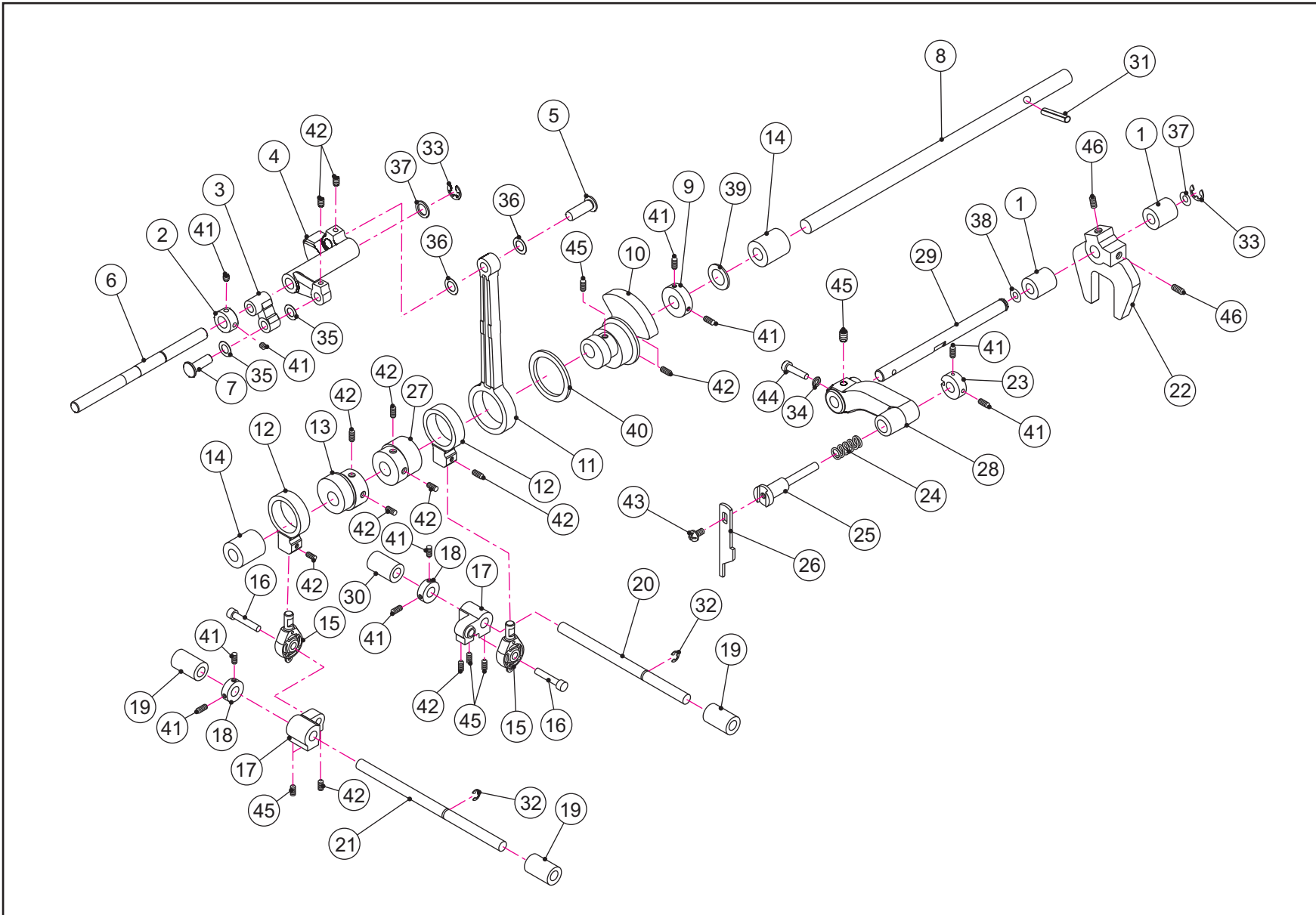
3. Side cover/Base plate/Accessory box/Extension table/ Motor cover/Thread guide bar/Spool stand

No.	Parts No.	Parts Name	No.	Parts No.	Parts Name
1	A1130-567-01	Side cover	18	ZE03T06E13	E ring
1	A1130-111-01	Side cover	19	ZW04.1F14.5H03	Washer
2	A11361567	Base plate	20	ZW04.3F10J02	Washer
2	A11361111	Base plate	21	ZW05.2W09A11	Washer
3	A11351567	Accessory box	22	ZM03L06E04	Set screw
3	A11351111	Accessory box	23	ZM03L06T42	Set screw
4	A10781001	Accessory box slide shaft	24	ZM04L06A04	Set screw
5	A11251000	Rubber	25	ZM04L08A02	Set screw
6	A10541001	Accessory box slide shaft	26	ZM04L10A02	Set screw
7	A40241567	Extension table(DF type)	27	ZM04L10F44	Set screw
7	A40241111	Extension table(DF type)	28	ZM04L10W02	Set screw
8	A40211211	D.F decorate plate	29	ZM04L12A02	Set screw
8	A40211111	D.F decorate plate	30	ZM04L12W02	Set screw
9	A11311567	Motor cover	31	ZM04L12D42	Set screw
9	A11311111	Motor cover	32	ZM04H02.4H03	Nut
10	B10422001	Extension bar	33	A40242000	Extension table complete set (DF type) (No.7.8 included)
11	A11371567	Spool stand	33	A40241111A	Extension table complete set (DF type) (No.7.8 included)
11	A11371111	Spool stand	34	A11363000	Base plate complete set (No. 2.3.4.5.6.18.20.22.25.29.32 included)
12	A1V011567	Cone holder			
12	A1V01-111	Cone holder			
13	A11621000	Thread guide bar			
14	B10551000	Micro switch contactor			
15	A1W02-01	Warning label			
16	A1181-567	Back cover			
16	A1181-111	Back cover			
17	A1205	Back cover heatout plate			



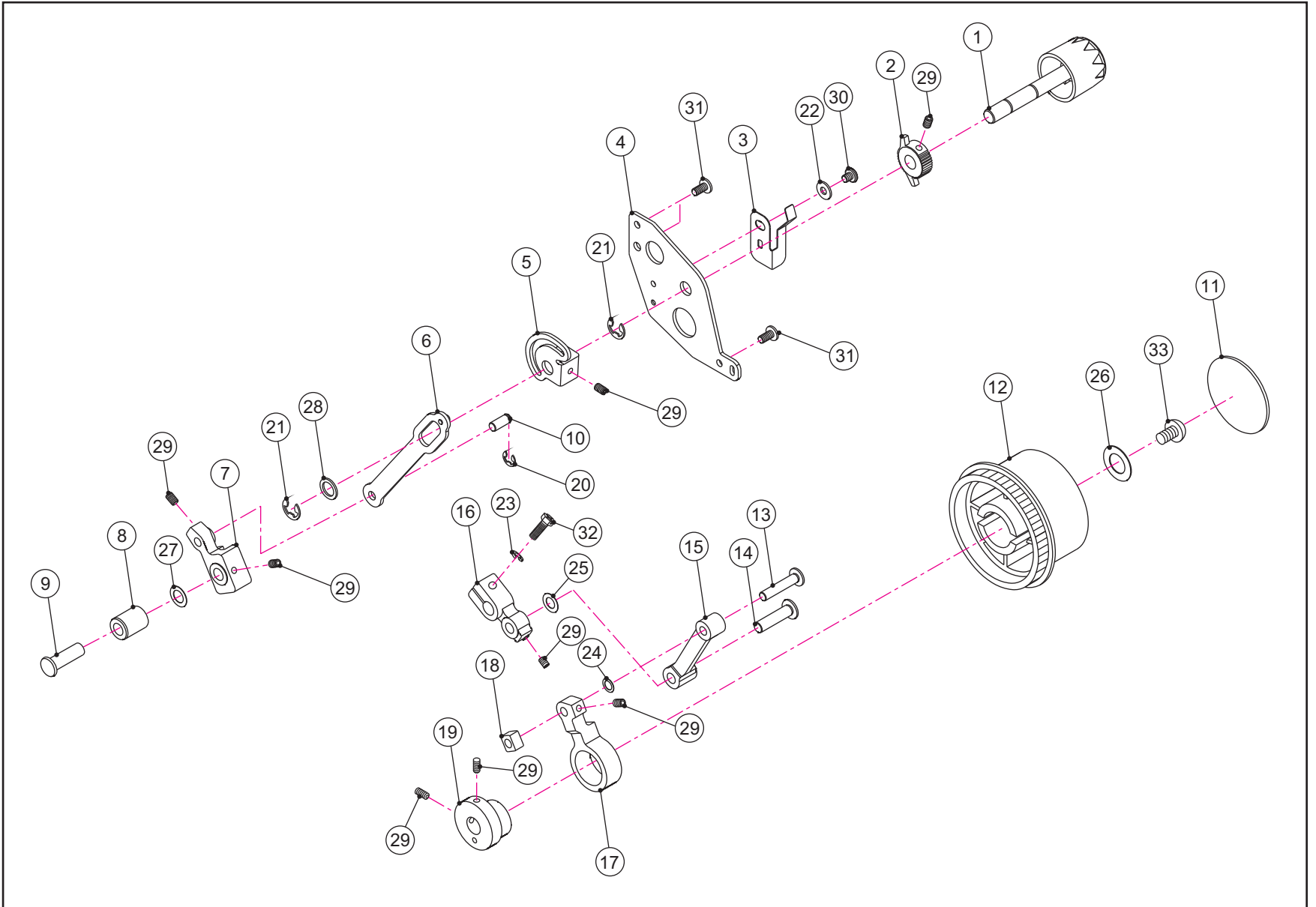
4. Machine frame/Lower Knife/Stitch plate

No.	Parts No.	Parts Name	No.	Parts No.	Parts Name
1	A1002-01	Machine frame	22	Z1164L07S24	Set screw
2	A1180-111-01	Front cover extension	23	ZW03.2F07E03	Washer
2	A1180-567-01	Front cover extension	24	ZM04L08A02	Set screw
3	A1037-01	Bushing	25	ZW05.2W09A11	Washer
4	A10591001-01	Opening lever stopper	26	ZM02.5L05A53	Set screw
5	A10481000	Presser foot lifter	27	ZM04L10W02	Set screw
6	A11782	Presser foot lifter holder	28	ZM03L06E04	Set screw
7	A1179	Bulb holder	29	ZM04L04M71	Set screw
8	ZM04L06M71	Set screw	30	ZM04L04.5A04	Set screw
9	B1030-01	Stitch plate	31	ZM04L06K31	Set screw
10	A1195	Fixed lever	*32	B1030-01A	Stitch plate set (No. 9.10.11.12.13.26 included)
11	A1196	Moving lever	*34	A10222-02	Lower knife holder set (No. 17.18.19 included)
12	A1198	Fixed board	*35	A1089-01S	Cutting width knob set (No. 20.29 included)
13	A1197	Moving lever slide holder			
14	A1199	Needle plate holder			
15	B10141567	Moving lever cover			
16	A1053-02	Lower knife			
17	A1022-01	Lower knife holder			
18	A10731001	Cutting width knob shaft			
19	A1021-01	Lower knife holder bushing			
20	A1089-01	Cutting width knob			
21	B1059PXXX~X	Cutting width knob			



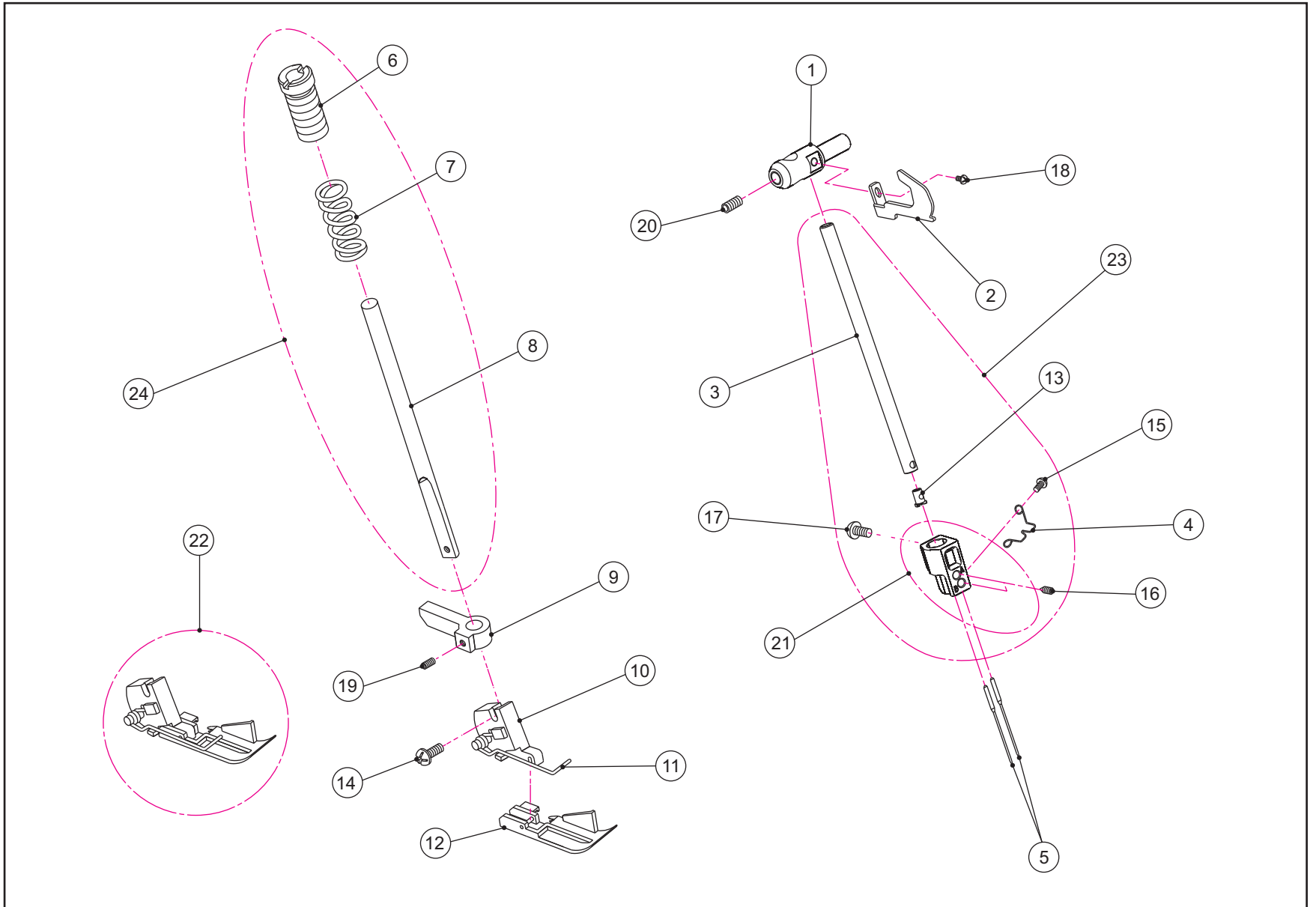
5. Main shaft/Upper knife

No.	Parts No.	Parts Name	No.	Parts No.	Parts Name
1	G1040-1-01	Upper knife arm shaft bushing	32	ZE05T06E13	E ring
2	A10961001	Setting collar	33	ZE06T08E13	E ring
3	A1203	Needle bar connecting arm	34	ZW04S07J12	Washer
4	A1201	Needle bar drive link	35	ZW06.2N11B00	Washer
5	A11201000	Needle bar link pin	36	ZW07.3N12B00	Washer
6	A1200	Needle bar drive link shaft	37	ZW08.2F12J01	Washer
7	G1383-01	Needle bar link pin	38	ZW08.2N12B00	Washer
8	A1090-01	Main shaft set	39	ZW10.2N15B00	Washer
9	A1095-01	Setting collar	40	ZW28.2N34E00	Washer
10	A10291000	Needle bar cam	41	ZM04L04M71	Set screw
11	A10081000	Needle bar drive link	42	ZM04L06M71	Set screw
12	G1290-01	Looper link	43	ZM04L08P02	Set screw
13	A11561000	Looper cam (B)	44	ZM04L16Q71	Set screw
14	J1151	Bushing	45	ZM05L06M71	Set screw
15	G12932	Bearing	46	ZM06L08M71	Set screw
16	A10791000	Looper shaft link pin	47	A1182-301A	Upper knife arm set (No.28.29.34.44.45 included)
17	A1024-01	Looper shaft link	*48	A1201S	Needle bar crank set (No.4.42 included)
18	A1094-01	Setting collar	*49	A1029S	Needle bar cam set (No.10.42.45 included)
19	J1163	Bushing	*50	A1095-01S	Setting collar set (No.9.41 included)
20	A1080-01	Upper looper shaft	*51	A1096S	Setting collar set (No.2.41 included)
21	A1081-01	Lower looper shaft	*52	A1024-01S	Looper shaft link set (No.17.42.45 included)
22	A1030-01	Fork	*53	A1030-01S	Fork set (No.22.46 included)
23	A11011001	Upper knife holder collar	*54	A1094-01S	Setting collar set (No.18.41 included)
24	A11051001	Upper knife spring	*55	A1101S	Upper knife holder collar set (No.23.41 included)
25	A10761000	Upper knife holder	*56	G1290-01S	Looper cam (B) set (No.12.42 included)
26	A1052-01	Upper knife	*57	A1156S	Looper cam set (No.13.42 included)
27	A11571000	Looper cam (A)	58	A10523000	Upper knife set (No.25.26.43 included)
28	A1182-301	Upper knife arm	*59	A1157S	Looper cam set (No.27.42 included)
29	A1193	Upper knife shaft	60	A10902000	Main shaft set (No.8.31 included)
30	A10401000	Bushing	61	A1201A~X	Needle bar link set (No.3.5.7.11.35.36.40.48.49 included)
31	ZD04L28A11	Spring pin			



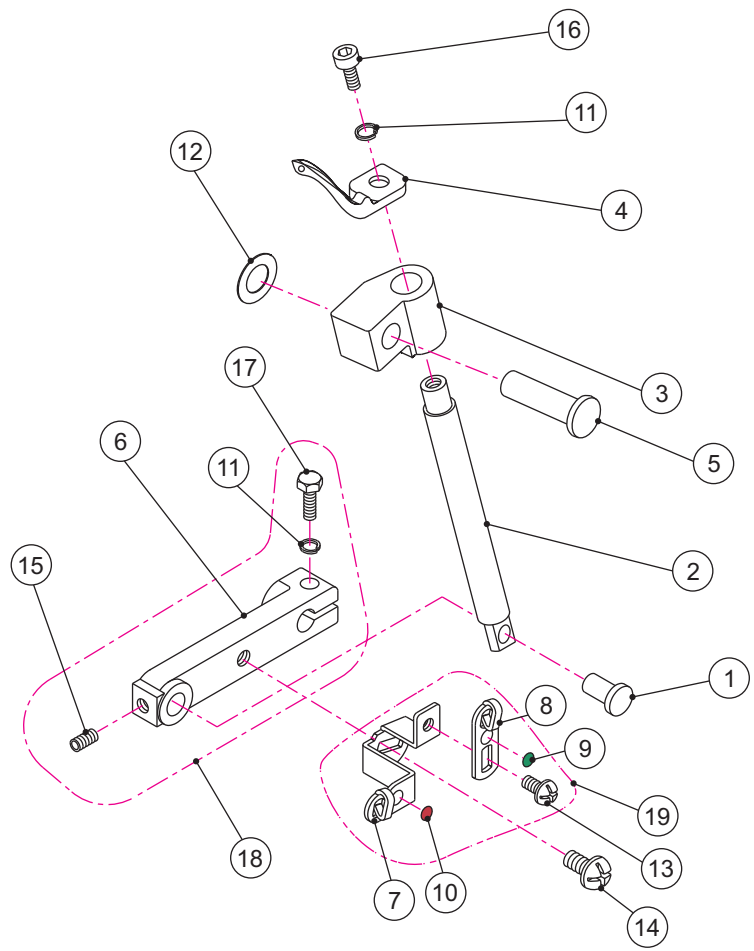
6. Handwheel/Stitch length dial

No.	Parts No.	Parts Name	No.	Parts No.	Parts Name
1	A1183AXXX~X	Stitch length dial	29	ZM04L06M71	Set screw
2	A1009-02	Feed regulate collar	30	ZM04L04.5A04	Set screw
3	J1125	Locating spring	31	ZM04L08A02	Set screw
4	A1186-01	Feed regulate holder	32	ZM05L15P42	Set screw
5	A1184	Feed regulate cam	33	ZM06L12E02	Set screw
6	A11852	Feed regulate link	*34	L1041S	Feed slide holder set (No. 7.29 included)
7	L1041	Feed slide holder	*35	G1358S	Feed link set (No. 16.23.29.32 included)
8	A10411000	Feed regulate holder bushing	*36	A1009-02S	Feed regulate collar set (No. 2.29 included)
9	A1086-01	Feed regulate holder shaft	*37	G1349S	Feed driving lever (No. 17.29 included)
10	G1350	Feed driving lever pin	38	L1041A~X	Feed slide holder set (No. 8.9.27.34 included)
11	A11151211	Handwheel decorate plate	*39	A1018-01S	Feed Cam set (No. 19.29 included)
11	A1115-111	Handwheel decorate plate			
12	A11403567	Handwheel			
12	A1140-111B	Handwheel			
13	G1055	Feed dog holder pin			
14	G1352	Feed shake link pin			
15	G1351	Feed shake link			
16	G1358	Feed link			
17	G1349	Feed driving lever			
18	G1099	Feed slide block			
19	A1018-01	Feed Cam			
20	ZE04T06E13	E ring			
21	ZE06T08E13	E ring			
22	ZW04.3F10J02	Washer			
23	ZW05.1S08.3L12	Washer			
24	ZW05.2N08B00	Washer			
25	ZW06.2N11B00	Washer			
26	ZW06.7F19J02	Washer			
27	ZW07.3N12B00	Washer			
28	ZW08.2F12J01	Washer			



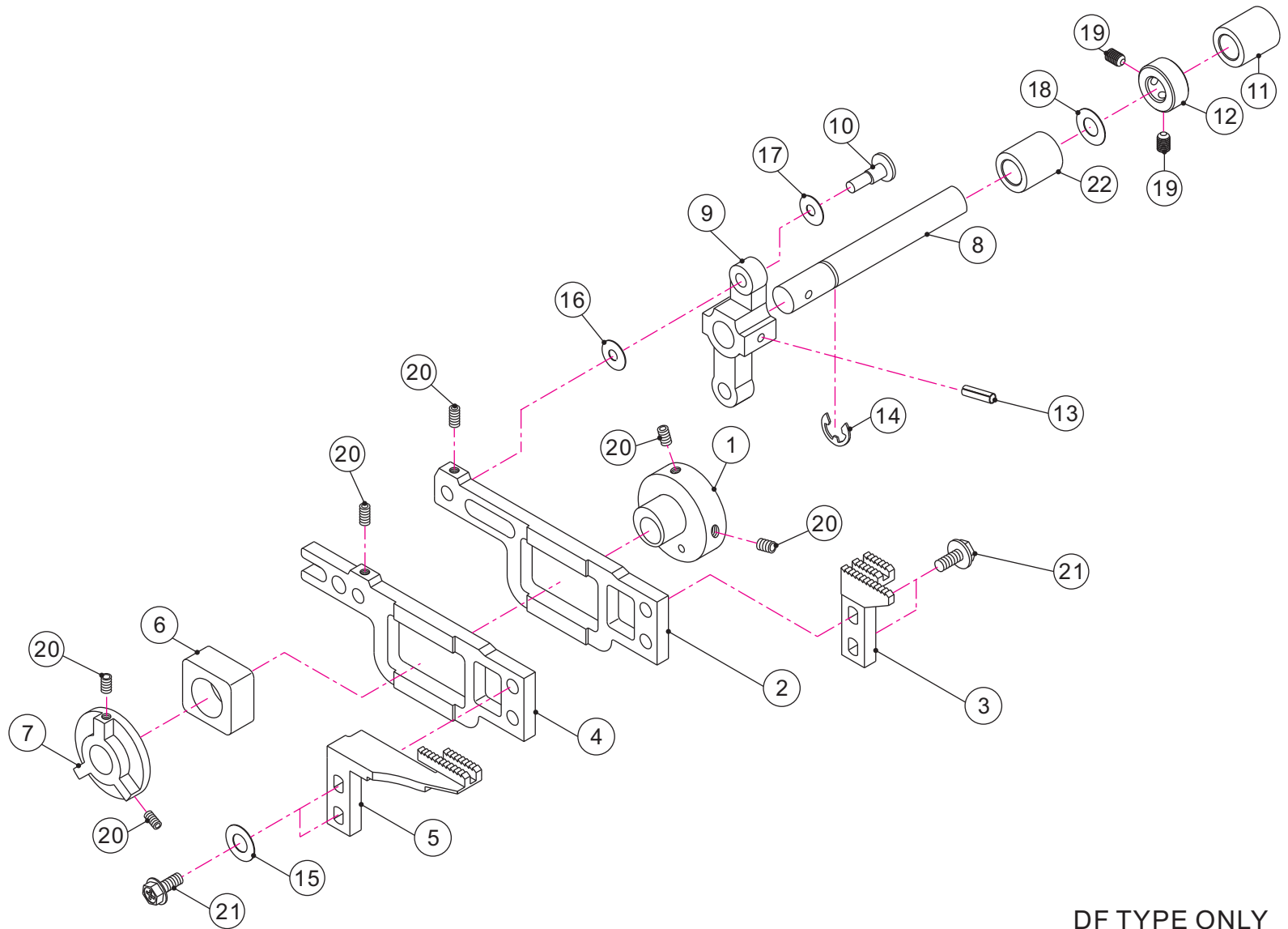
7. Needle bar/Presser bar/Presser foot

No.	Parts No.	Parts Name
1	A1202	Needle bar setting link
2	A10501004	Needle bar thread take-up lever
3	G1362	Needle bar
4	A11101000	Needle clamp thread guide
5	A1K044000	Needle
5	A1K014000	Needle
5	A1K051000	Needle
5	A1K06	Needle
6	A10991004	Presser bar regulate screw
7	A11041001	Presser bar spring
8	A1098-01	Presser bar
9	A10231000	Presser bar setting link
10	A1A021004	Presser foot holder
11	A1A051001	Presser foot spring
12	A1A061004	Presser foot
13	G1361-01	Needle Clamp Nut
14	Z0964L08A14	Set screw
15	ZM02L04E44	Set screw
16	ZM03L05N71	Set screw
17	ZM03L06A04	Set screw
18	ZM03L06E04	Set screw
19	ZM04L04M71	Set screw
20	ZM05L06M71	Set screw
21	E10102	Needle clamp set
22	A1000A000	Presser foot complete set (No. 10.11.12 included)
23	G1362A~X	Needle bar complete set (needles excluded) (No. 3.4.13.15.16.17.21 included)
24	A10983004	Presser bar set (No. 6.7.8 included)
*25	A1202S	Needle bar setting link set (No. 1.20 included)



8. Upper looper

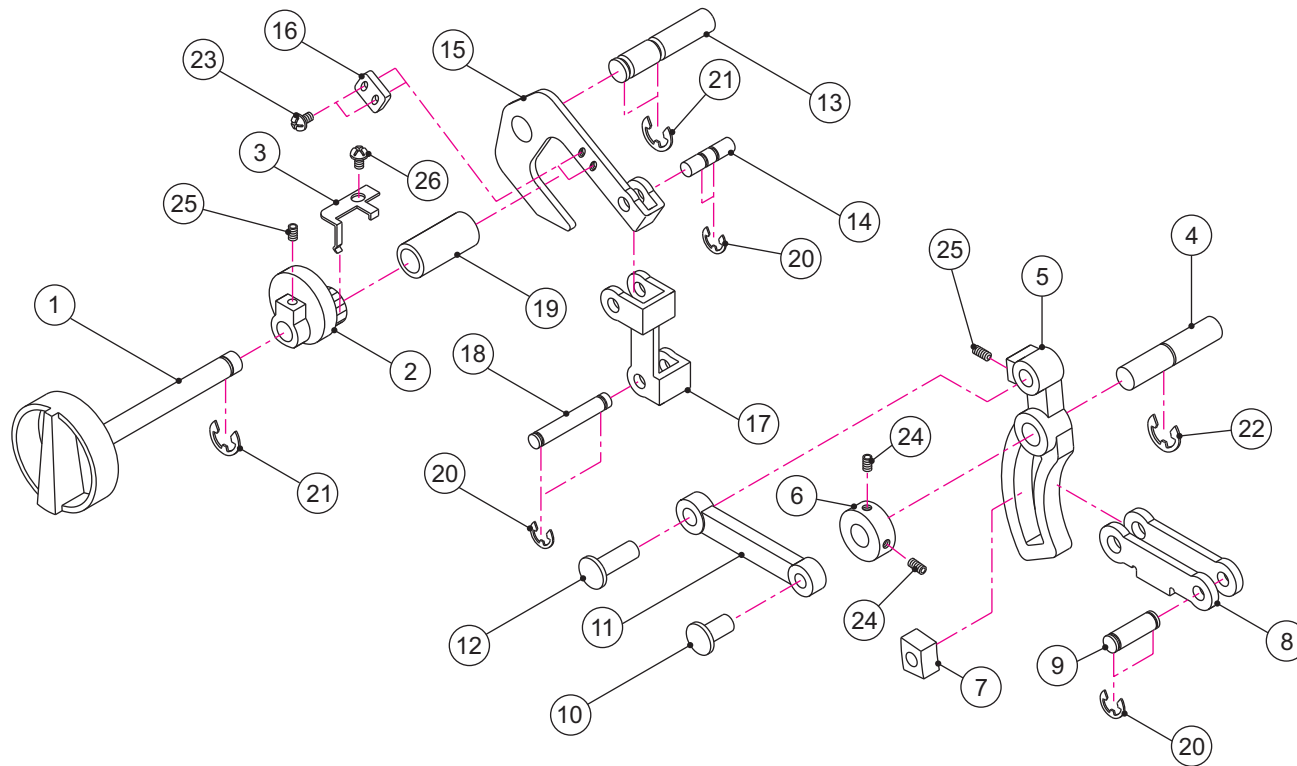
No.	Parts No.	Parts Name
1	A10931000	Slide shaft pin
2	A10911000	Slide shaft
3	A1188	Slide shaft holder
4	A10431000	upper looper
5	L1069	Slide shaft holder bushing
6	A1026-01	Upper looper connecting arm
7	B10291004	Lower looper thread take-up lever
8	B10281004	Upper looper thread take-up lever
9	A11481250	Color sticker(green)
10	A11481235	Color sticker(red)
11	ZW04S07J12	Spring washer
12	ZW06.2N11B00	Washer
13	ZM03L04A13	Set screw
14	ZM04L06A04	Set screw
15	ZM04L06M71	Set screw
16	ZM04L10Q71	Set screw
17	ZM04L16P51	Set screw
*18	A1026-01S	Upper looper connecting arm set (No. 6.11.15.17 included)
19	B10463000	Lower looper thread take-up lever Complete set (No. 7.8.9.10.13 included)
20	A10263000	Upper looper connecting arm set (No. 1.2.18 included)
21	A1188A	Slide shaft holder set (No. 3.5.12 included)



DF TYPE ONLY

9. Feed dog (DF TYPE ONLY)

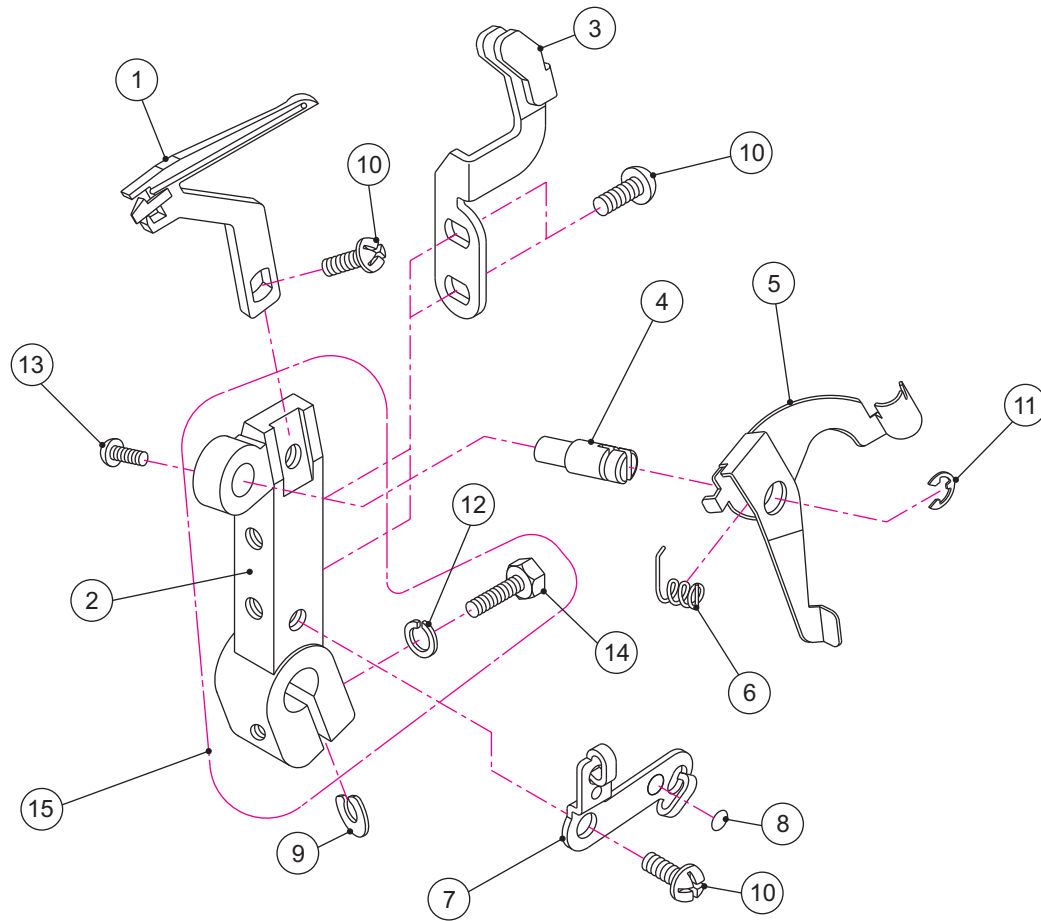
No.	Parts No.	Parts Name
1	A40031000	Feed dog cam
2	A10201000	Feed dog holder
3	A4002	Feed dog (rear)
4	A40081000	Feed dog supporter (front)
5	A4001	Feed dog (front)
6	A40041000	Feed dog supporter slide block
7	A10151000	Setting collar
8	A1189	Feed dog shaking link shaft
9	A1190	Feed dog shake link
10	A10751000	Feed dog holder pin
11	G1040-01	Bushing
12	A10961001	Setting collar
13	ZD04L16A11	Spring pin
14	ZE07T08E13	E ring
15	ZW05.1F10F03	Washer
16	ZW05.5N12B00	Washer
17	ZW06.8N12B00	Washer
18	ZW08.2N12B00	Washer
19	ZM04L04M71	Set screw
20	ZM04L06M71	Set screw
21	ZM04L10R42	Set screw
22	G1040-1-01	Bushing
23	A11902	Feed dog shake link set (No. 8.9.13 included)
*24	A4003S	Feed dog cam set (No. 1.20 included)
*25	A4008S	Feed dog supporter (front) set (No. 4.20 included)
*26	A1096S	Setting collar set (No. 12.19 included)
*27	A1015S	Setting collar set (No. 7.20 included)
*28	A1020S	Feed dog holder (No. 2.20 included)



DF TYPE ONLY

10. Differential feed (DF type only)

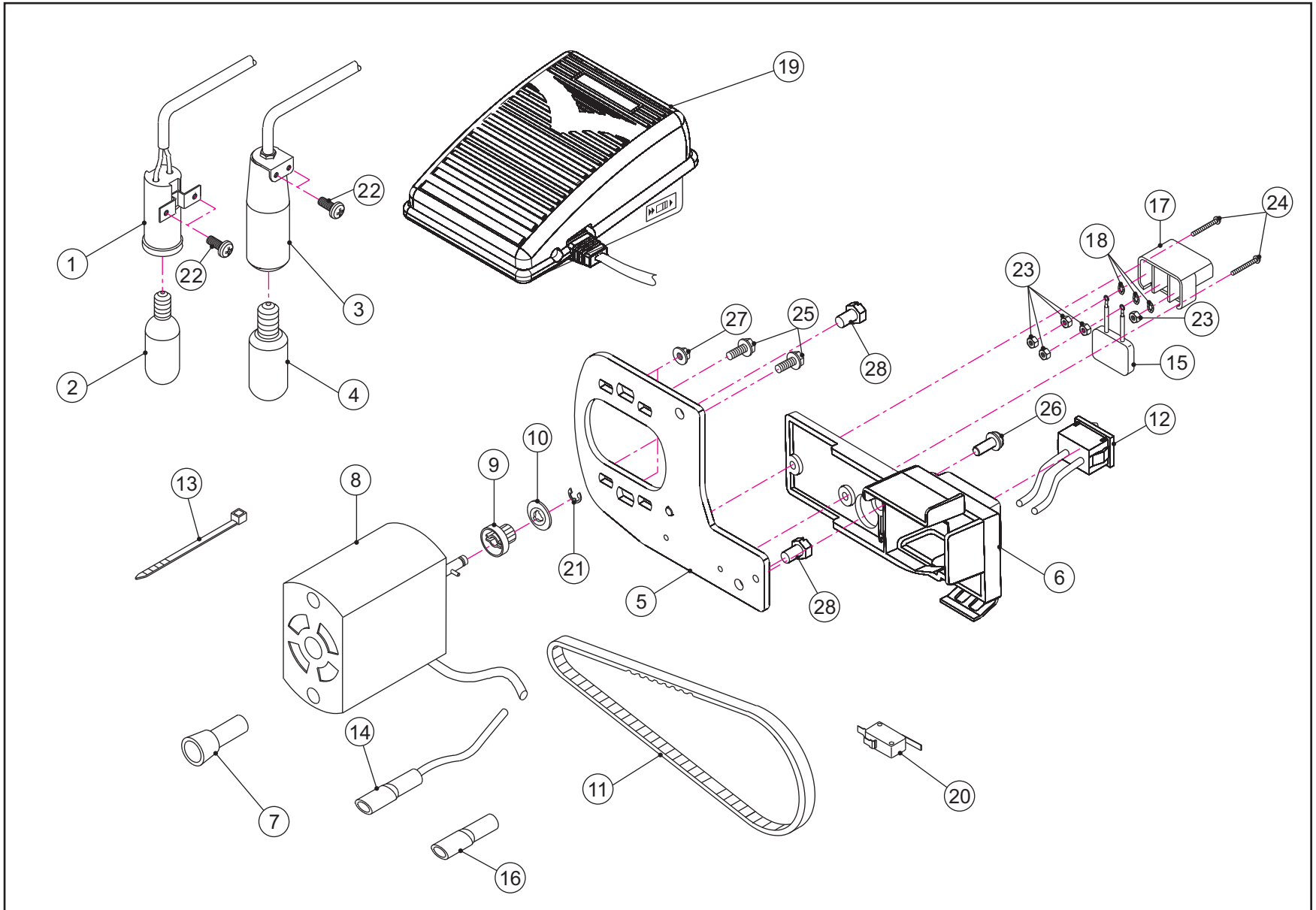
No.	Parts No.	Parts Name
1	A40251567	Differential feed dial
1	A40251111	Differential feed dial
2	A40091000	D.F. regulate cam
3	A40191001	D.F. setting spring
4	A40151001	D.F. slide holder shaft
5	A40061000	D.F. slide holder
6	A10961001	Setting collar
7	A40051000	D.F. slide block
8	A40111001	D.F. link
9	A40161000	D.F. link pin (A)
10	A10741000	Feed regulate link pin
11	A40071000	Feed dog supporter link
12	A10831000	Feed drive link pin (B)
13	A4014-01	D.F. regulate holder shaft
14	A40181000	D.F. regulate link pin
15	A40131001	D.F. regulate holder
16	A40231001	Setting plate
17	A40121001	D.F. regulate link
18	A40171000	D.F. link pin (B)
19	A40101000	D.F. dial bushing
20	ZE04T06E13	E ring
21	ZE05T06E13	E ring
22	ZE06T08E13	E ring
23	ZM03L06E04	Set screw
24	ZM04L04M71	Set screw
25	ZM04L06M71	Set screw
26	ZM04L08A02	Set screw
*27	A4006S	D.F. slide holder set (No. 5.25 included)
*28	A4009S	D.F. regulate cam set (No. 2.25 included)
*29	A1096S	Setting collar set (No.6.24 included)



LOWER LOOPER AUTO THREADER TYPE ONLY

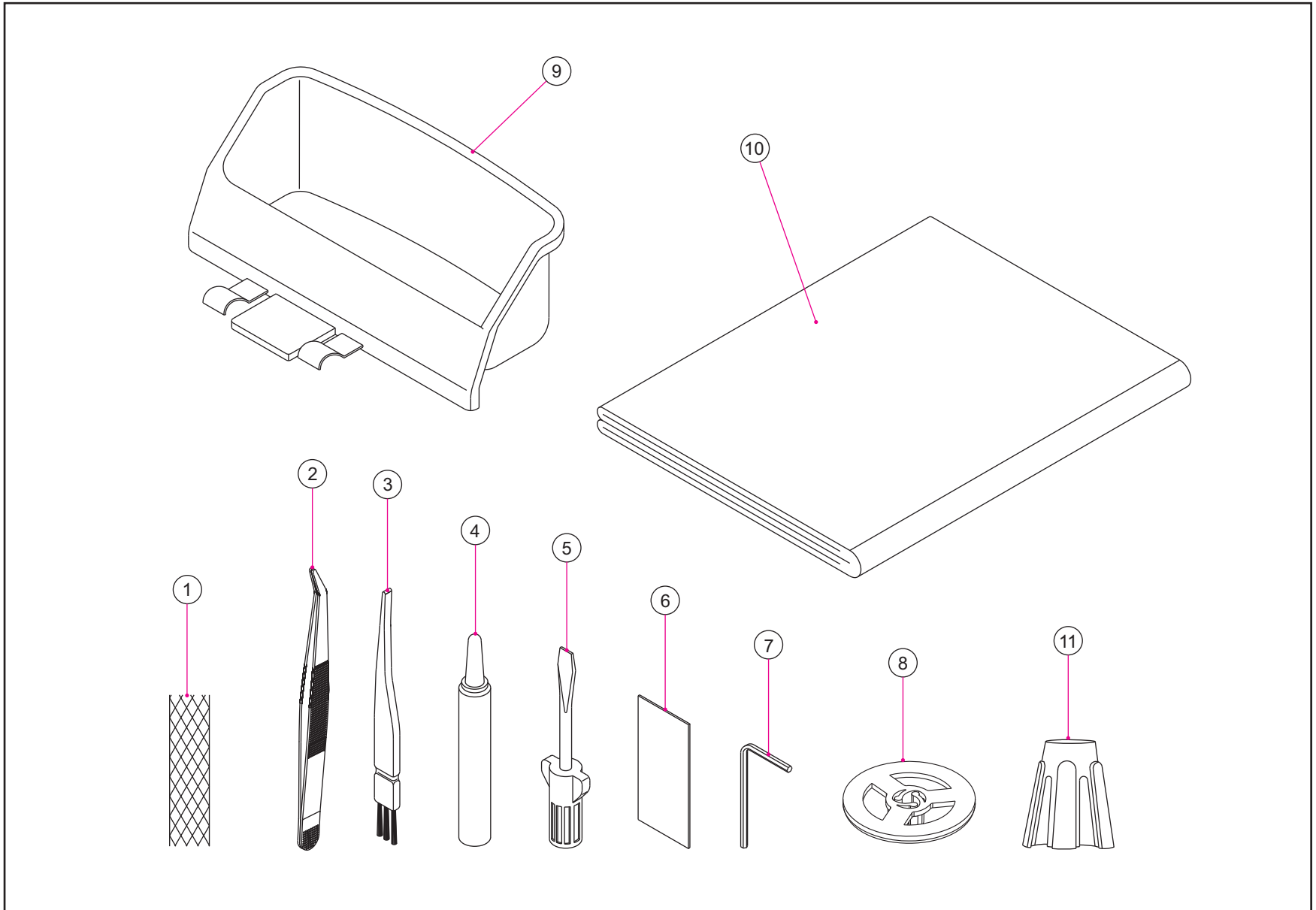
11. Lower looper auto threader (Auto threader type only)

<u>No.</u>	<u>Parts No.</u>	<u>Parts Name</u>
1	A30021000	Lower looper (B)
2	A30011005-1	Lower looper supporter (B)
3	A10561004-01	Needle guard
4	A30041001	Auto threader shaft
5	A30031004	Auto threader
6	A30051001	Auto threader spring
7	C10011004	Lower looper thread guide
8	A11481235	Color sticker(red)
9	G1287	Washer
10	Z0108L07S04	Set screw
11	ZE04T06E13	E Ring
12	ZW05.1S08.3L12	Spring washer
13	ZM03L06E04	Set screw
14	ZM05L18P02	Set screw
*15	A3001S	Lower looper supporter set (B) (No. 2.9.12.14 included)
16	C10011004A	Lower looper thread guide set (No. 7.8 included)
17	A30013000	Lower looper supporter set (B) (No. 1.4.5.6.10.11.13.15.16 included)



12. Electronic parts

No.	Parts No.	Parts Name	No.	Parts No.	Parts Name
1	EE0132000	Lighting set (100V)	19	4C-316B27	Foot controller (115V) U.S.A.
1	EE0142000	Lighting set (120V)	19	4C-316C26	Foot controller (220V) Korea
2	EE0161000	Bulb (100V)	19	4C-316C28	Foot controller (220V) Middle East
2	EE0171000	Bulb (120V)	19	4C-316C38	Foot controller (220V) Middle East (Gray)
3	EE0152000	Lighting set (240V) (Available for 220V/230V/240V)	19	4C-326C22	Foot controller (220V) South Africa
4	EE0181000	Bulb (240V) (Available for 220V/230V/240V)	19	4C-326G22	Foot controller (230V) Europe
			19	4C-326G24	Foot controller (220V) Argentina
5	G1339(A)	Motor supporter	19	4C-326G25	Foot controller (230V) U.K.
6	A1192	Switch supporter	19	4C-326G26	Foot controller (220V) Philippines
7	EE0191000	C4 End terminal	19	4C-326G27	Foot controller (230V) Europe
8	3M-703A404	Motor (100V)	19	4C-326G35	Foot controller (200V~240V) Saudi Arabia
8	3M-803A404	Motor (100V)	19	4C-326G36	Foot Controller (230V) India
8	KM-6390U	Motor (115V)	19	4C-345B22	Foot controller (120V) U.S.A.
8	WM-298I-9	Motor (220V~230V)	19	4C-345C23	Foot controller (240V) Australia & New Zealand)
8	WM-298I-926	Motor (220V)	19	4C-345C25	Foot controller (220V~240V) U.K.
9	A11411000	Timing belt pulley	19	4C-345G22	Foot controller (230V) Europe
10	A11421000	Timing belt pulley cover	20	EE0112001	Micro switch contactor
11	A10011000	Timing belt	21	ZE04T06E13	E ring
12	EE378	Switch	22	ZM03L04A13	Set screw
13	EE0112004	Cord clip	23	ZM03H02.4H03	Nut (100V*3PCS / 120V*3PCS / 220V~240V*5PCS)
14	EE0501000	Terminal w/transparent insulation tube			
15	KC98-18	Condenser for 220V~240V	24	ZM03L20C43	Set screw (M6834Z)
15	KC98-18S	Condenser for 220V~240V	24	ZM03L22C42	Set screw (3SRF-2)
16	EE0511184	Terminal w/nu-transparent insulation tube	25	ZM04L10R42	Set screw (230V)
17	3SRF-2	Machine socket	26	ZM04L10W02	Set screw
17	M6834Z	Machine socket	27	ZM04H05F02	Set screw (100V / 120V)
18	M9838	Washer	28	ZM05L12P42	Set screw
19	4C-315A221	Foot controller (100V) Japan			
19	4C-316B22	Foot controller (115V) U.S.A.			



13. Accessories

No.	Parts No.	Parts Name
1	A1L011000	Net
2	H1032	Tweezers
3	A1I011000	Cleaning brush
4	A1E011000	Oiler
5	A1F011211	Screw driver
6	A1J013000	Needle x 3
6	A1K044000	Needle x 3
6	A1K051000	Needle x 3
6	A1K034000	Needle x 3
6	A1K014000	Needle x 3
6	A1K062	Needle x 3
7	A1H011001	Hexagon wrench
8	A1C011567	Spool caps
8	A1C01-111	Spool caps
9	A1D011567	Chip box
9	A1D011111	Chip box
10	A1U011000	Dust cover
11	A1V011567	Cone holder
11	A1V01-111	Cone holder

